

SOLID WEDGE GATE VALVE

Introduction

- Solid wedge gate valves are the perfect solution as a closing device in pipeline systems;
- Because of the straight bore all impurities can pass through the valve without doing any harm. Combined with the full bore it will prevent pressure loss caused by turbulence;
- Bolted Bonnet; Outside Screw & Yoke;
- Solid Wedge;



Rising Stem



Non-rising Stem

Application

- Be suitable in applications with water supply, sewage treatment and neutral liquids in the mining industry, enterprises and high buildings;
- Suitable temperature: $\leq 80^{\circ}\text{C}$;
- Working pressure: PN10, PN16;
- Caution: FREEZING WEATHER PRECAUTION - Subsequent to testing a piping system, gate valves should be left in an open position to allow complete drainage.

Standards

- Design and manufacture: BS5163, DIN3352, GB/T12232
- Face to face dimension: BS2080, DIN3202, JIS B2002, GB/T12221
- Connection dimension of flange: GB4216, ISO7005, DIN2501

Tests

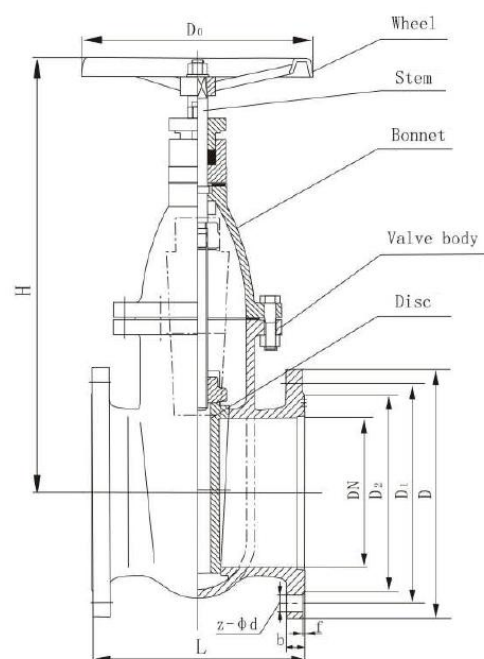
- Test according to GB/T13927
- Nominal pressure: PN (MPa)
- Body: PN X 1.5
- Seal: PN X 1.1

Parts list and Materials

| Parts | Materials |
|---------------|---------------------------------------|
| Body | Cast iron |
| Wedge | Cast iron |
| Stem | Carbon steel, Bronze, Stainless steel |
| Bonnet | Cast iron |
| Packing Gland | Cast iron |
| Stem nut | Bronze, Ductile iron |
| Hand wheel | Cast iron |

Dimensions

| DN | L | D | D ₁ | D ₂ | b-f | Z-φ d | H | D ₀ |
|------|------|------|----------------|----------------|------|---------|------|----------------|
| (mm) | (mm) | (mm) | (mm) | (mm) | (mm) | (mm) | (mm) | (mm) |
| 40 | 165 | 145 | 110 | 85 | 18-3 | 4-φ 18 | 240 | 140 |
| 50 | 178 | 160 | 125 | 100 | 20-3 | 4-φ 18 | 295 | 160 |
| 65 | 190 | 180 | 145 | 120 | 20-3 | 4-φ 18 | 320 | 160 |
| 80 | 203 | 195 | 160 | 135 | 22-3 | 4-φ 18 | 350 | 200 |
| 100 | 229 | 215 | 180 | 155 | 22-3 | 8-φ 18 | 390 | 200 |
| 125 | 254 | 245 | 210 | 185 | 24-3 | 8-φ 18 | 440 | 240 |
| 150 | 267 | 280 | 240 | 210 | 24-3 | 8-φ 23 | 490 | 240 |
| 200 | 330 | 335 | 295 | 265 | 26-3 | 8-φ 23 | 620 | 320 |
| 250 | 380 | 390 | 350 | 320 | 28-3 | 12-φ 23 | 735 | 320 |
| 300 | 420 | 440 | 400 | 368 | 28-4 | 12-φ 23 | 840 | 400 |
| 350 | 450 | 500 | 460 | 428 | 30-4 | 16-φ 23 | 955 | 400 |
| 400 | 480 | 565 | 515 | 482 | 32-4 | 16-φ 25 | 1100 | 500 |
| 450 | 510 | 615 | 565 | 532 | 32-4 | 20-φ 25 | 1175 | 500 |
| 500 | 540 | 670 | 620 | 585 | 34-4 | 20-φ 25 | 1440 | 500 |
| 600 | 600 | 780 | 725 | 685 | 36-5 | 20-φ 30 | 1585 | 500 |
| 700 | 660 | 895 | 840 | 800 | 40-5 | 24-φ 30 | 1717 | 900 |
| 800 | 720 | 1010 | 950 | 905 | 44-5 | 24-φ 34 | 1877 | 900 |



*Note: The information herein is subject to change without notice.